

O Shape Manual Bidet Seat

 bathwarepro.com/product/o-shape-manual-bidet-seat/



Item No.: BPA1003

- Overall size: 360(W)x480(D)x80(H)/mm.
- Major material: P.P.
- With filter part to avoid the pipe jams.
- Fit for more toilets.
- Design based on more stable and heavier.
- Easy installation.
- Soft close function for seat and lid.

SKU: BPA1003 Category: [Non-Electric Bidet](#) Tag: [washing](#)

Description

Product feature: Double nozzle, soft washing for the lady, strong washing for the rear, Self-cleaning, Anti-bacterial nozzle, Energy saving (non-electronic).

With a sleek, low-profile seat design, Non-Electric Bidets provides the superior cleansing of a spray wand that's fully adjustable for position and water pressure. The cleansing toilet seat makes it easy to add the freshness and assurance of personal cleansing to your existing toilet. This manual cleansing seat requires no electricity or batteries and installs in minutes, connecting to the toilet's water supply line.

Reference Code:

BPA1003.102.01 – O Shape bidet seat, G1/2" connection.

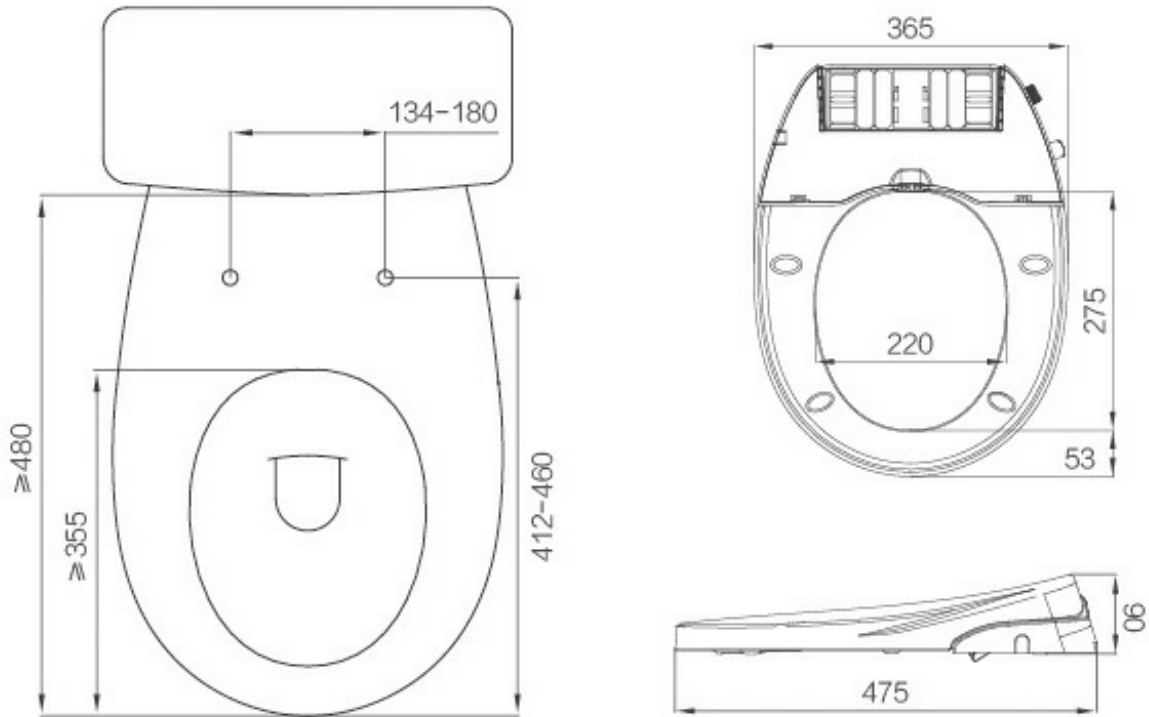
BPA1003.102.02 – O Shape bidet seat, G1/2" connection, controllable self-cleaning function.

Product Application

Installation Size: A=410~458, B=134~180

Water Pressure: 0.07~0.80 Mpa

Tape Water Only: Prohibit the use of neutral water, hard water or raining water. External constant temperature heating device can be used to provide hot water washing.



Package Content: Bidet seat, installation parts, T shaped joint, flexible hose.

Inner Box Size: 382*523*100 mm

Carton Size: 400*535*550 mm

1 Master Carton: 5pcs

20' Container: 1140pcs



POWER FREE
intelligent



ONE BUTTON OPERATION
contracted



QUICK RELEASE
convenient



CLEAN & HEALTH
comfortable



O Shape Manual Bidet Seat | Professional Bathroomware | Bathware Pro